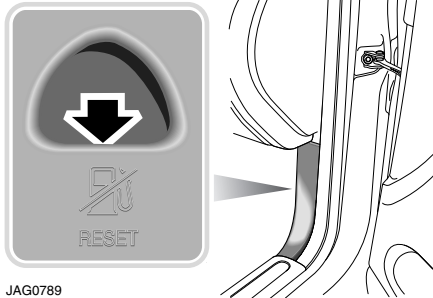


Inertia Switch

RESETTING THE INERTIA SWITCH



JAG0789

In the event of an accident, an inertia switch will trip, isolating the fuel supply. Once the switch has tripped it must be reset before attempting to restart the engine.

The inertia switch is located in the footwell behind the trim on the right-hand side of the vehicle, forward of the front door post, below the fascia. A finger access hole allows the driver to reset the switch.



WARNING:

To avoid the possibility of fire or personal injury, do not reset the inertia switch if you see or smell fuel.

If no fuel leak is apparent, reset the inertia switch as follows:

1. Turn the starter switch to position **0**.
2. Press down the flexible cover on the top of the inertia switch.
3. Turn the starter switch to position **II**, pause for a few seconds, then return the key to position **0**.
4. Make a further check for fuel leaks.

Emergency Starting

ROLLING START

(Manual transmission only)



WARNING:

- It will not be possible to push or tow start a vehicle with automatic transmission.
- Only jump lead starting or the fitting of a fully charged battery is recommended.
- Because of the dangers to other road users, extreme caution must be exercised when attempting a rolling start.

A rolling start is pushing or towing the vehicle at low speed, in gear (preferably 2nd) with the clutch pedal depressed and the starter switch in position II.

When sufficient forward speed is obtained, the clutch pedal is gently released and the traction force from the wheels starts the engine.

It may be difficult to start a cold diesel engine by pushing or towing the vehicle, as the cold starting system cannot be activated if the battery is flat.

JUMP LEADS

Both the booster and discharged battery should be treated with great care when using jump leads. Always use high quality leads capable of carrying the starter current of the vehicle to be started.



WARNING:

To avoid serious injury use extreme caution when removing the jump leads as the engine will be running on the previously disabled vehicle. This means that you will be working close to components which are moving at high speed, carry high voltage, or may be hot.

Before commencing, the following precautions must be taken:

- When the battery of another vehicle is being used, ensure that the vehicles do not touch. Alternatively, remove the charged battery and place near to, not on, the vehicle with the discharged battery.
- Ensure that both vehicles have all electrical services off, the handbrake is on and, with automatic transmission, **P-park** is selected.
- Where the jump leads are of a different colour, e.g. red and black, use red for positive (+). This aids identification and helps to avoid crossing positive (+) to negative (-). Take extra care to avoid crossing the polarity when using cables of the same colour.

Caution:

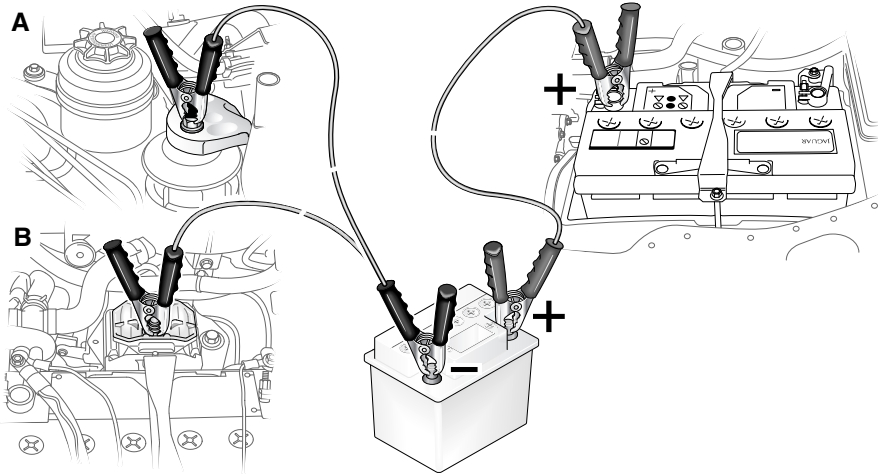
- **If using a jump-start vehicle, under no circumstances should the vehicles come into contact with each other. This could establish an earth connection, which may cause sparks and damage.**

Emergency Starting

- **Do not run the jump-start vehicle's engine when jump starting a Jaguar vehicle. If the jump-start vehicle's engine is running and the jump leads are disconnected, damage to the Jaguar vehicle's electrical system will result.**
- **The booster battery voltage must not exceed 12 Volts.**

Emergency Starting

EMERGENCY START PROCEDURE



JAG0790

Caution: Do not connect the negative jump lead directly to the negative (-) terminal of the discharged vehicle.

The following procedure must be followed exactly, being careful not to cause sparks:

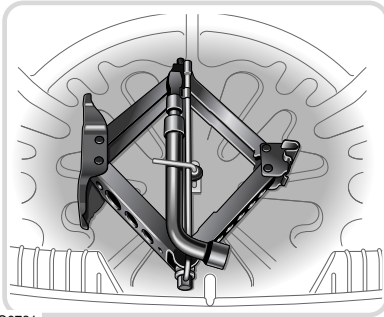
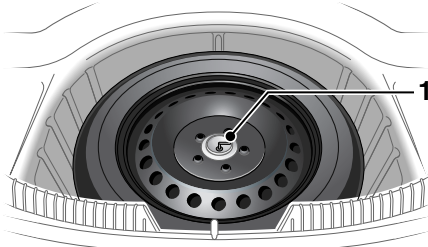
1. Apply the parkbrake, select **P** (automatic transmission vehicles only), and turn off all the vehicle's electrical services.
2. Open the bonnet to gain access to the battery.
3. Unclip the battery cover.
4. Attach one end of the red jump lead to the positive (+) terminal of the booster battery and the other end to the positive (+) terminal of the discharged battery. Make sure that a good connection is made.
5. Attach one end of the black jump lead to the negative (-) terminal of the booster battery.

6. For **petrol** models, attach the other end of the black jump lead to the right-hand engine mount (**A**). For **diesel** models, attach the jump lead to the left-hand engine mount (**B**). For all models, make sure a good connection is made.
7. When started, allow the engine to idle for five minutes before disconnecting the cables.
8. Disconnect the black jump lead from the engine mount point and the booster battery negative (-) terminal.
9. Disconnect the red jump lead from the positive (+) terminals of both batteries.
10. Refit the battery box cover.

After starting the engine it may be necessary to reset some functions, such as the window anti-trap mechanism. See '**BATTERY CHARGING**', page 214.

Wheel Changing

SPARE WHEEL LOCATION



JAG0791

Be prepared for a flat tyre. Know where equipment is stowed and read the wheel changing and jacking instructions carefully.

Pull off the road completely, clear of all traffic and park on as level, solid ground as possible. Switch on hazard warning lamps and, where legally required, display the warning triangle.



WARNING:

The spare wheel is heavy and if handled incorrectly may cause injury. Use extreme caution when lifting or manoeuvring the wheels.



WARNING:

Always secure the spare wheel, or the removed wheel, in the correct position using the retaining bolt. Failure to do so may cause the spare wheel to move in the event of a sudden manoeuvre or accident, leading to death or serious injury.



WARNING:

Ensure that the floor panel is placed where it cannot fall and cause injury when it is removed from the vehicle.



WARNING:

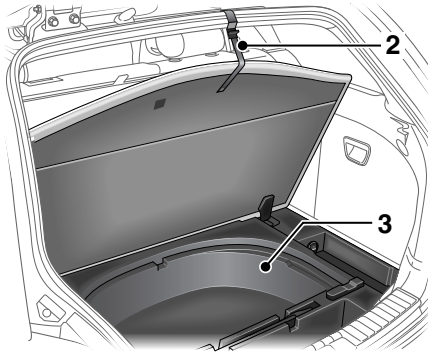
When removing or replacing the floor panel ensure that fingers and hands are kept clear. Failure to do so may result in injuries.

The spare wheel and jacking equipment are stored under the luggage compartment floor panel.

To remove the spare wheel, lift the luggage compartment floor panel. If a temporary-use spare wheel is stowed then the tray will need to be removed to gain access to the wheel. Unscrew the retaining nut (1) and remove the spare wheel. Remove the jack and wheel nut wrench (and locking wheel nut kit).

Estate: The floor panel of Estate models is fitted with a retaining strap (2), which can be hooked over the top lip of the luggage compartment opening. This holds the floor panel out of the way, to make access to the spare wheel easier. Remove the stowage tray (3) to access the spare wheel.

Wheel Changing



JAG0792

TEMPORARY-USE SPARE WHEEL

Observe the following warnings before using the wheel.



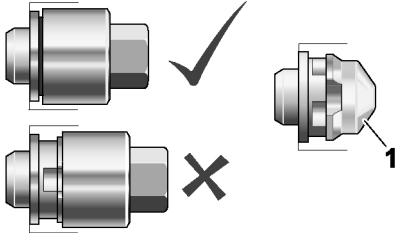
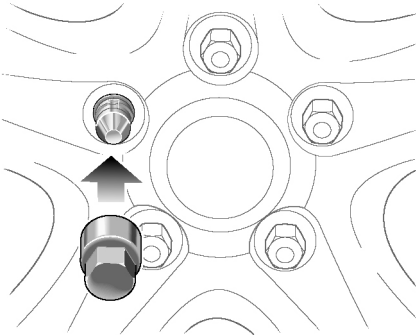
WARNING:

- Please note temporary-use spare wheel warning label. Adhere to instructions on the label. Failure to comply can be dangerous.
- When a temporary-use spare wheel is fitted, drive with caution and replace with the specified wheel and tyre as soon as possible.
- Do not fit more than one temporary-use spare wheel and tyre assembly at one time.
- The temporary-use spare wheel must be inflated to the correct pressure. Refer to the tyre recommendation label on the end of the dashboard on the driver's side of the vehicle.
- The maximum speed for the temporary-use spare wheel is 80kmh (50mph).
- DSC must be on when the temporary-use spare wheel is in use.

Note: Maintenance information for the temporary-use spare wheel is the same as given for normal tyres.

Wheel Changing

LOCKING WHEEL NUTS



JOL2666

Where Jaguar locking wheel nuts are fitted (one on each wheel), they can only be removed using the correct key socket.

The locking wheel nut comprises two grooved parts, front and rear, which must be turned together to allow the nut to be fitted or removed.

To remove the nut, the front and rear grooves must be aligned. Locate the key socket in the grooves and push it fully over both parts of the nut. Fit the wheel nut wrench over the key socket and loosen the locking wheel nut.

Attempting to remove the nut without the correct key socket (such as attempted theft) or with the socket not located over the rear part of the nut, will cause the front part only (1) to turn.

If this has happened, rotate the front part with the key socket until the grooves are re-aligned and then push the socket fully over the nut.

Should a new key socket be required, contact your Jaguar Dealer/Authorised Repairer. Proof of vehicle ownership will be required.

Wheel Changing

CHANGING A WHEEL

Before raising the vehicle, or changing a wheel, ensure that you read and comply with the following warnings.



WARNING:

Always find a safe place to stop, off of the highway and away from traffic.

Ensure that the vehicle is on firm level ground.



WARNING:

Disconnect trailer/caravan from the vehicle.



WARNING:

Switch on the hazard warning lamps.



WARNING:

Ensure that all passengers and animals are out of the vehicle, and in a safe place away from the highway.



WARNING:

Place a warning triangle at a suitable distance behind the vehicle, facing towards oncoming traffic.



WARNING:

Ensure that the front wheels are in the straight ahead position, and engage the steering lock.



WARNING:

Ensure that the jack is on firm, level ground.



WARNING:

Never place anything between the jack and the ground, or the jack and the vehicle.



WARNING:

Always chock the wheels using suitable wheel chocks. Place the chocks on both sides of the wheel, diagonally opposite the wheel to be changed.



WARNING:

If jacking the vehicle on a slight slope is unavoidable, place the chocks on the downhill side of the two opposite wheels.



WARNING:

Remove the spare wheel prior to jacking the vehicle to avoid destabilising the vehicle when raised.



WARNING:

Take care when loosening the wheel nuts. The wheel brace may slip off if not properly attached, and the wheel nuts may give way suddenly. Either unexpected movement may cause an injury.

Wheel Changing



WARNING:

Never work under the vehicle using only the jack as a support, always use axle stands or suitable supports under the jacking points.



WARNING:

Do not attempt to lift the vehicle unless the jack head is fully engaged in the jacking point.



WARNING:

Ensure that the parkbrake is fully applied.

For automatic vehicles, select gear position P-park.

For vehicles with manual transmission, select a low gear.

Before raising the vehicle, extend the telescopic wheel nut wrench and slacken, but do not remove the wheel nuts.

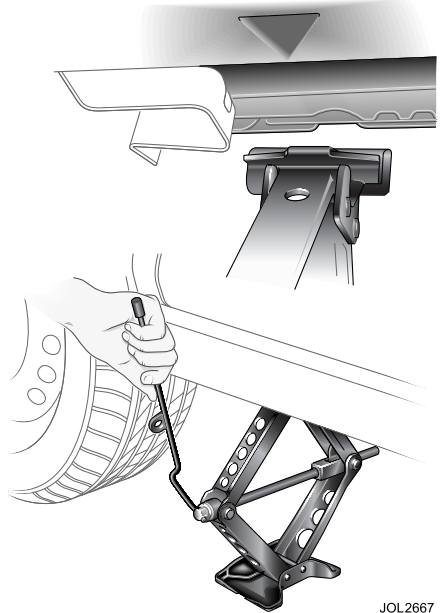
Observe the instructions printed on the jack.

Use the jack only for lifting the vehicle during wheel changing, and only use the jack which is stored in the vehicle.

Do not start or run the engine while the vehicle is only supported by a jack.

Note: When one rear wheel is lifted off the ground the selection of a low gear on manual vehicles or automatic transmission **P** (Park) position will not prevent the vehicle from moving and possibly slipping off the jack.

Caution: Ensure that when anyone requires to raise the vehicle that the jack is correctly positioned to avoid any damage to the vehicle sills or sill panels. Use only the correct jacking points; never use suspension components, bumpers or any other part of the body to lift the vehicle.



JOL2667

There are four jacking points, two each side of the vehicle on the underside of the floor. These provide positive location for the jack.

Two indented, triangular jack location points are provided on each sill cover.

The simplest way to correctly locate the jacking point is to feel along the sill panel to the triangular indentation and then fit the jack head to the body flange as shown in the illustration above.

Wheel Changing

Place the jack squarely beneath the appropriate jacking point. Ensure that the jack head is fully engaged. Carefully raise the vehicle by turning the handle. Stop jacking the vehicle when the tyre just clears the ground. Minimum tyre lift gives maximum vehicle stability.

Remove the wheel nuts and the wheel.

When changing the alloy road wheels, transfer the centre badge to the replacement wheel (when a full size spare wheel is used). Using the rounded end of the wheel nut wrench handle from the inside of the wheel, push the centre badge from its housing. Push the centre badge into the replacement wheel. If the temporary-use spare wheel is to be fitted, keep the centre badge safely and fit it to the repaired full size wheel when it has been refitted.

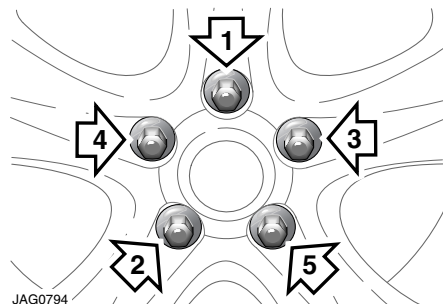
Fitting the spare wheel



WARNING:

When the temporary-use spare wheel has been fitted, drive with caution and replace with the specified wheel and tyre as soon as possible.

Fit the spare wheel and loosely secure with the wheel nuts.



Using the wheel nut wrench, lightly tighten the wheel nuts alternately using the sequence shown in the illustration.

Lower the jack and tighten the wheel nuts alternately, **DO NOT OVERTIGHTEN**.

At the earliest opportunity have the wheel nuts tightened with a torque wrench to:

Alloy wheels:

- 103 Nm \pm 15.5 (75.95 lbf.ft. \pm 11.4).

Steel wheels:

- 80 Nm \pm 12.0 (59.0 lbf.ft. \pm 8.5).

These torque figures must not be exceeded.

Stowing the equipment

Stow the jack and wrench.

Stow the replaced road wheel in the luggage compartment, position the wheel and secure with the retaining nut. Reposition the luggage compartment floor panel.

Note: Examine the jack occasionally and clean and grease the threads to ensure it is always ready for an emergency.

Vehicle Recovery

VEHICLE FAILURE

For towing and recovery purposes, note that the model range includes both Front Wheel Drive (FWD) and all-wheel drive (AWD) vehicles.

Always obey towing regulations. In certain countries the registration number of the towing vehicle and an ON TOW sign or warning triangle must be displayed in a prominent position at the rear of the vehicle being towed.

When being towed, the vehicle's gear selector lever must be in neutral (position **N**) with the starter key turned to position **II** to release the steering lock and render the indicators, horn and brake lamps operational.

All-wheel drive vehicles

Caution:

- **Do not tow an All-Wheel Drive (AWD) vehicle with the front wheels lifted unless the propshaft to the rear wheels is disconnected at the final drive flange. If the propshaft is not disconnected, the rotating rear wheels will force the front wheels to rotate, even with the gear selector in neutral.**
- **The vehicle can be towed with all four wheels on the ground, provided there is no damage to the transmission, for a maximum distance of 50 km (30 miles) with the speed not exceeding 50 km/h (30mph).**
- **To prevent damage whilst an AWD vehicle is being towed with the rear wheels on the ground, towing distance must be restricted to 0.8 km (0.5 miles). Towing speed must not exceed 50 km/h (30 mph).**

RECOMMENDED RECOVERY METHODS

Caution:

- **The preferred and recommended vehicle recovery method is by using a flatbed transporter.**
- **Ensure that the recovery team do not tow with sling-type equipment since damage to the bodywork may result.**
- **If the vehicle has defective transmission, to prevent further damage, it must be towed with the rear wheels clear of the ground.**
- **Do not tow the vehicle by suspending the front end.**

The removable towing eye is primarily for emergency use when towing for short distances, e.g. removing the vehicle if it is causing an obstruction or for winching the vehicle onto a recovery transporter.

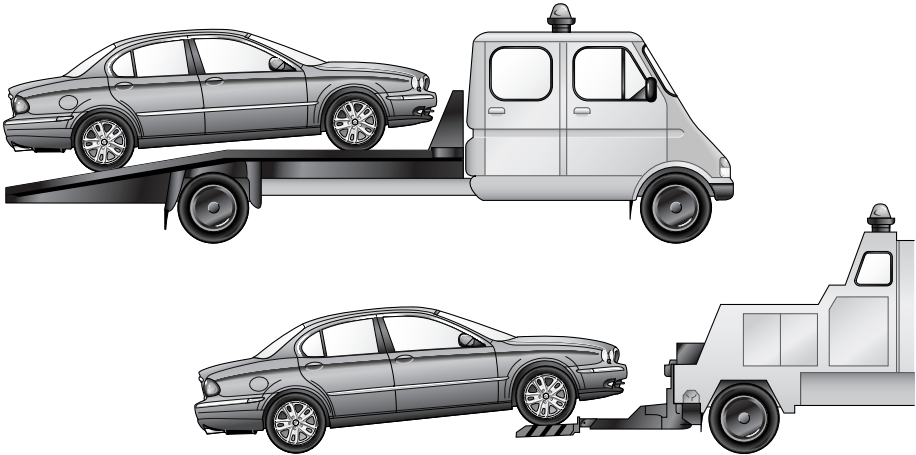


WARNING:

When the engine is not running the steering and brakes will no longer be power assisted. Therefore, be prepared for relatively heavy steering and the need for greatly increased brake pedal pressure.

Vehicle Recovery

TRANSPORTING



JOL2669

When the vehicle is being transported on a trailer or vehicle flatbed transporter, the parkbrake must be applied, the wheels chocked and:

- The automatic gear selector lever moved to position **N** or **D** but NEVER to **P**.
- The manual gear selector lever moved to the neutral position.

The vehicle must be securely tied down to the transporter or trailer. There are four transporter tie-down brackets on the vehicle underbody. Do not attach tie-down hooks to the towing eye.

Suspended towing

Ensure that the recovery team do not tow with sling-type equipment since damage to the bodywork may result.

Caution: Do not tow an All-Wheel Drive (AWD) vehicle with the front wheels lifted unless the propshaft to the rear wheels is disconnected at the final drive flange. If the propshaft is not disconnected, the rotating rear wheels will force the front wheels to rotate, even with the gear selector in neutral.

Vehicle Recovery

TOWING EYES



WARNING:

The towing eyes at the front and rear of the vehicle are designed for on-road recovery only. If they are used for any other purpose it may result in vehicle damage and serious injury.



WARNING:

Never use the towing eyes to tow a trailer, caravan etc. Doing so may result in vehicle damage and serious injury.

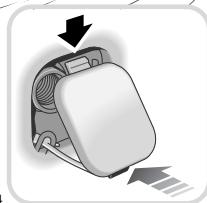
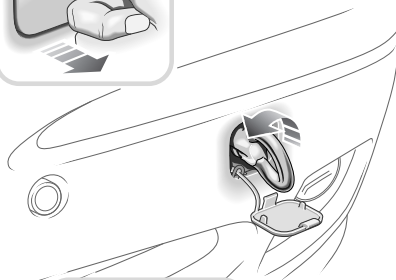
A screw-in towing eye is provided in the luggage compartment with the jack and can be fitted to the front or rear of the vehicle.

Note: The towing eye has a left-hand thread and must be turned in a counterclockwise direction when fitting.

Caution:

- The towing eye is not suitable for solid bar towing.
- Care must be taken to avoid damaging the bumpers.

Front tow point



JAG0684

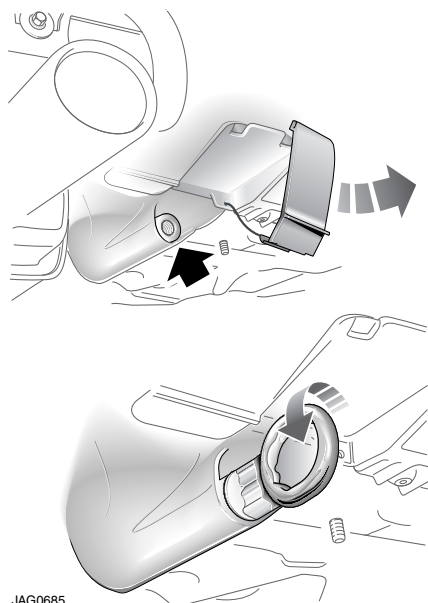
The front towing point is located behind a square cover on the face of the bumper on the left-hand side of the vehicle. To access the towing point, push the top of the tow point cover inwards and upwards, which will cause the cover to pop out of place. Lift the cover from the access hole. The tow point cover is attached to the vehicle by a retaining strap.

Screw the towing eye into the vehicle, right up to the shoulder.

After removal of the towing eye, insert the top edge of the tow point cover into the access hole, and press the bottom edge of the cover into place.

Vehicle Recovery

Rear tow point



JAG0685



WARNING:

Avoid body contact with a hot exhaust pipe when fitting the eye to the rear towing point.

The rear towing point is alongside the left-hand exhaust pipe.

Remove the small cover from the bumper.
Remove the bung and screw the towing eye into the vehicle, right up to the shoulder.

Estate vehicles with Sports body kit

Estate vehicles that are fitted with the optional Sports Collection body kit, need the extension bar (provided with the kit) to be fitted, to avoid any contact with the new rear valance.

Bulb Renewal

OVERVIEW



WARNING:

Replacement or maintenance of Xenon lamps should only be carried out by suitably qualified personnel.



WARNING:

High voltage is required to ignite the gas and metal vapour which are used to power Xenon lamps. Contact with this voltage can cause serious injuries.



WARNING:

Bi-Xenon lamp units operate at a very high temperature. Ensure that the lamp units have cooled before attempting to touch them.



WARNING:

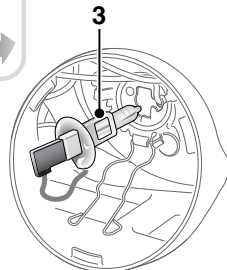
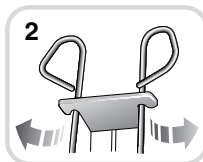
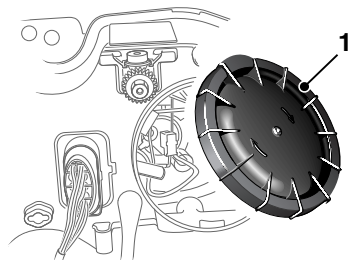
Xenon lamp units contain Mercury which is highly toxic, and can be extremely harmful.

It is important that only Jaguar bulbs of the type specified are used when renewing bulbs. Before renewing bulbs, switch off the starter and lamp switches.

Caution: Halogen type bulbs will be damaged if touched by hand or contaminated with oil or grease. It is important to use clean gloves or cloth when handling a bulb which is to be used again. A contaminated bulb may be cleaned with methylated spirit before refitting.

HIGH BEAM (INNER) HEADLAMP

Open the bonnet. Remove the battery to access the left-hand side bulb.



JAG0690

Turn the circular cover (1) counterclockwise and remove.

Press the spring clip (2) towards the bulb and downwards to release the bulb. Remove the bulb/connector (3) from the headlamp assembly. Pull the connector from the bulb.

Attach the connector to the new bulb, type H1 Super for high beam, and fit to the headlamp. The bulb will only correctly fit in one position.

Engage the spring clips to retain the bulb and then fit the circular cover. Refit the top cover and close the bonnet.

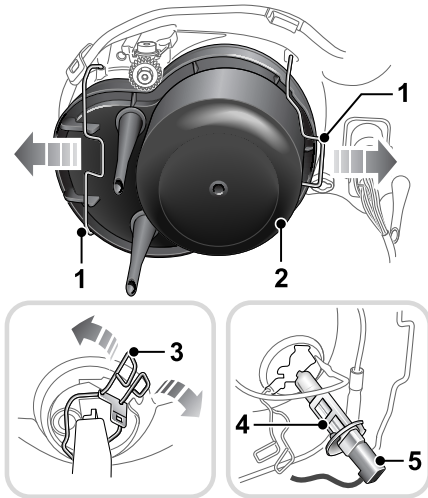
Note: The headlamp aim should now be checked by a Jaguar Dealer/Authorised Repairer

Bulb Renewal

DIP BEAM (OUTER) HEADLAMP

Open the bonnet.

For access to the left-hand side bulb, remove the battery and battery box.



JAG0691

Slide open the two spring clips (1) and remove the cover (2).

Press the spring clip (3) inwards and push towards the bulb (4) to release the bulb and then remove the bulb from the lamp unit. Pull the connector (5) from the bulb.

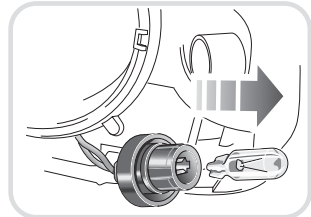
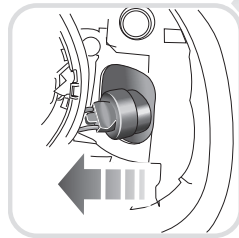
Fit a new bulb to the connector, type H1 for dipped beam.

Fit the bulb to the lamp unit, the bulb will only correctly fit in one position. Engage the spring clips to retain the bulb and then fit the cover and retain using the two spring clips.

Close the bonnet.

Note: High Intensity Discharge (HID) Xenon lamp units, type D2S 35W, are not renewable, contact your Jaguar Dealer/Authorised Repairer if the headlamp fails to operate.

SIDE REPEATER INDICATOR



JAG0609

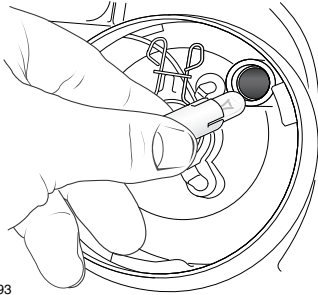
To remove the lamp unit from the external mirror, firstly pull the glass from the mirror unit to reveal the side repeater lamp holder. Gently release the rubber grommet and pull the lamp holder from its housing.

Remove the bulb and fit a new one of the correct type, WY5W.

Refit the bulb holder, ensuring the rubber grommet is firmly in place. Gently push the mirror glass back into place until a click is heard.

Bulb Renewal

FRONT PARKING (SIDE) LAMP



JAG0693

Open the bonnet.

The front parking lamps are contained within the inner headlamp units.

For access to the left-hand side bulb, remove the battery and the battery box.

Turn the circular cover counterclockwise and remove.

Pull the small bulb holder from the headlamp unit.

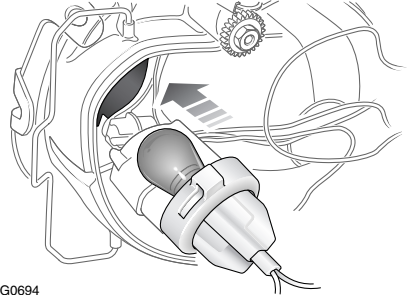
Pull the capless bulb from the holder and fit a new one of the correct type, W5W.

Push the bulb holder into the headlamp unit.

Fit the circular cover.

Close the bonnet.

FRONT DIRECTION INDICATOR



JAG0694

Open the bonnet.

The bulb is contained within the outer headlamp.

Slide open the two spring clips and remove the cover.

Turn the holder a quarter-turn counterclockwise and remove the bulb and holder.

Remove the bulb and fit a new one of the correct type, PY21W.

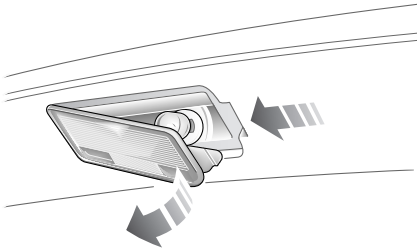
Fit the holder to the lamp unit, it will only fit in one position.

Fit the cover and retain using the two spring clips.

Close the bonnet.

Bulb Renewal

NUMBER PLATE LAMP



JAG0695

Push the lens clip sideways and remove the lens from the vehicle.

Remove the bulb and fit a new one of the correct type; W3W for saloons, and W5W for Estates.

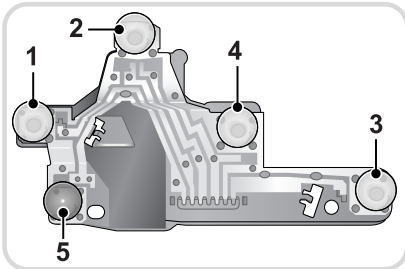
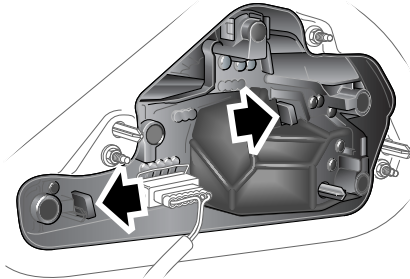
Refit the lens by pressing it firmly into the recess until it clicks into place.

FRONT FOG LAMP

It is recommended that the front fog lamp bulb is renewed by a Jaguar Dealer/ Authorised Repairer.

Bulb Renewal

REAR LAMP ASSEMBLY - SALOON



JAG0696

The rear lamp assembly has the following bulbs:

1. Reverse lamp, type P21W.
2. Stop/tail lamp, type P21/5W.
3. Fog lamp, type P21W.
4. Tail lamp, type P21/5W.
5. Direction indicator, type PY21W.

Ensure that the lamps and starter switch are off before removing any bulbs.

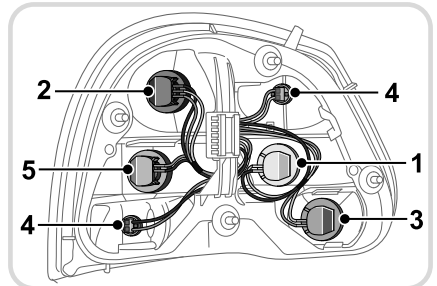
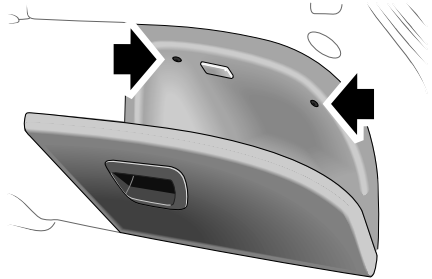
Open the luggage compartment, loosen the side carpet and unclip the rear lamp bulb carrier.

Remove the faulty bulb and fit a new one of the correct type, as illustrated on the bulb holder. Fitment of the correct type is essential.

Refit the bulb carrier assembly, ensuring that the clips are correctly secured.

Refit the carpet.

REAR LAMP ASSEMBLY - ESTATE



JAG0697

The rear lamp assembly has the following bulbs:

1. Reverse lamp, type P21W.
2. Stop/tail lamp, type P21/5W.
3. Fog lamp, type P21W.
4. Rear side marker lamp P21/5W (LHD only).
5. Direction indicator, type PY21W.

Ensure that the lamps and starter switch are off before removing any bulbs.

Open the luggage compartment and remove the side compartment cover. Use a screwdriver to undo the fastenings (arrowed above) and remove the side compartment trim.

Each bulb is held in place by a separate bulb holder. Identify which bulb to replace, turn the holder a quarter-turn counterclockwise and remove the bulb and holder.

Bulb Renewal

Note:

- *If the vehicle is fitted with a subwoofer, remove the trim surrounding the speaker and access the right-hand lamp assembly through the cut-out in the subwoofer housing.*
- *To access the left-hand lamp assembly, remove the trim surrounding the CD changer and navigation unit by undoing the trim fastenings with a screwdriver.*
- *The rear-view of the right-hand lamp assembly is shown. The left-hand assembly is a mirror image of the right-hand assembly.*

If the vehicle is fitted with a subwoofer and a CD changer it is recommended that the bulb(s) be changed by your Jaguar Dealer.

Remove the faulty bulb and fit a new one of the correct type, as illustrated on the bulb holder. Fitment of the correct type is essential.

HIGH MOUNTED STOP LAMP

The high mounted stop lamp is an LED type. Should one or more LEDs fail then the unit may cease to meet legal requirements and must be renewed immediately by a Jaguar Dealer/ Authorised Repairer.

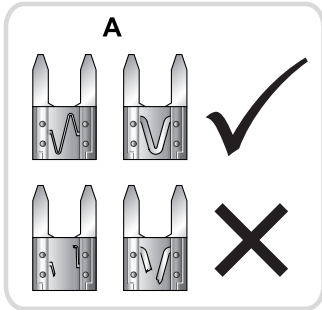
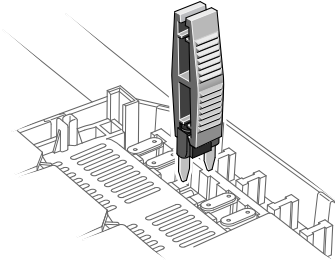
Fuses

FUSE TYPES

Fuse failure is identified by an inoperative circuit.

Do not fit a new fuse if the wiring is damaged; contact a Jaguar Dealer/ Authorised Repairer. After renewing a fuse have the circuit checked by a Jaguar Dealer/Authorised Repairer.

Make sure the new fuse is the correct rating (amperage).



JAG0698

Although there are several types of fuse used in the vehicle, only mini-fuses (A) can be changed by the owner.

A special tool for removing and replacing mini-fuses is provided in the engine compartment fuse box, together with spare fuses.

Use only the spare fuses supplied. If a spare fuse is used, renew it with a Jaguar approved fuse of the **same** amperage rating.

REPLACING A FUSE

Make sure the new fuse is the correct rating (amperage). Fuses are colour coded according to the amperage; the rating is also marked on each fuse. The colour code is as follows:

Tan	5 amp
Dark Red	7.5 amp
Red	10 amp
Light Blue	15 amp
Yellow	20 amp
Clear	25 amp
Light Green	30 amp

Mini-fuse replacement

Push the tool on to the suspect mini-fuse and withdraw it.

If the wire in the fuse is broken, the fuse has blown.

Fit a new fuse using the tool.



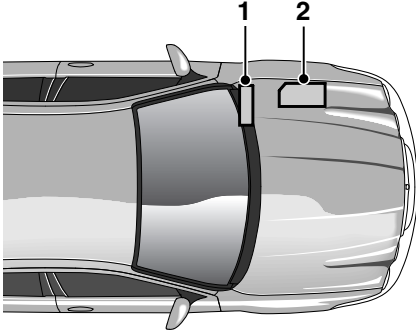
WARNING:

- Do not fit a fuse of a different amperage from that removed. The electrical circuits may become overloaded with the subsequent possibility of a fire.
- No attempt should be made to repair a fuse that has blown as this may cause a fire hazard or serious damage elsewhere in the electrical circuit.

Fuses

FUSE BOX LOCATIONS

There are two fuse boxes fitted to the vehicle, each one containing fuses protecting a different group of circuits.



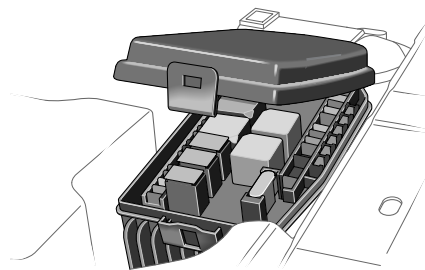
JAG0699

They are located in:

1. The passenger compartment.
2. The engine compartment.

Caution: When a fuse box lid is removed, take care to protect the box from moisture, and refit the lid at the earliest opportunity.

Engine compartment fuse box



JAG0700

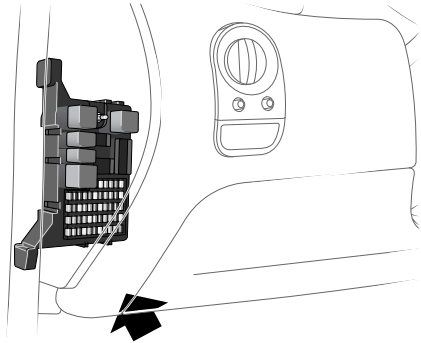
The fuse box is located in the engine compartment on the left-hand side adjacent to the battery.

Remove the fuse box lid by pressing the retaining lug at the front of the lid and lifting the lid clear of the rear hinges.

A tool for removing the mini-fuses is located in the fuse box.

When refitting, relocate the fuse box lid in the hinges at the rear of the fuse box and press the retaining lug at the front of the lid into place.

Passenger compartment fuse box



JAG0702

The passenger compartment fuse box is located behind the facia on the left-hand side of the vehicle.

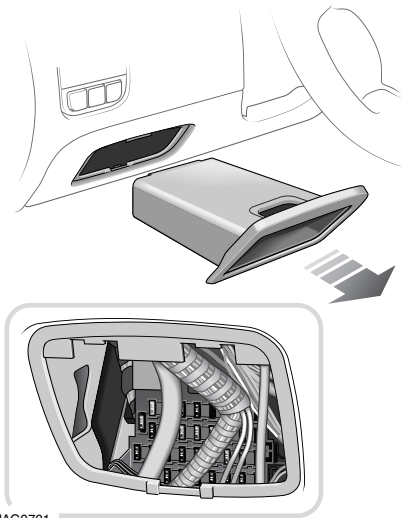
A tool for removing the mini-fuses is located in the engine compartment fuse box.

Note: A torch or flashlight may be required to properly identify the fuses.

On vehicles fitted with with a knee bolster airbag, the fuse box can be accessed from beneath the facia.

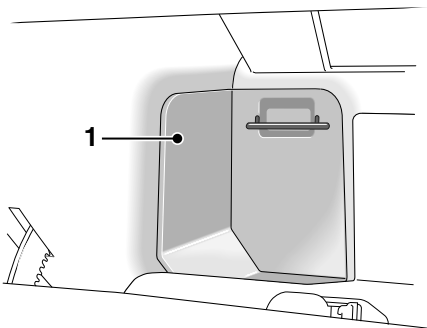
For those vehicles not fitted with a knee bolster airbag, the fusebox can be accessed as follows.

Fuses



JAG0701

Left-hand drive vehicles, remove the trinket tray. The fuse box is visible through the aperture.

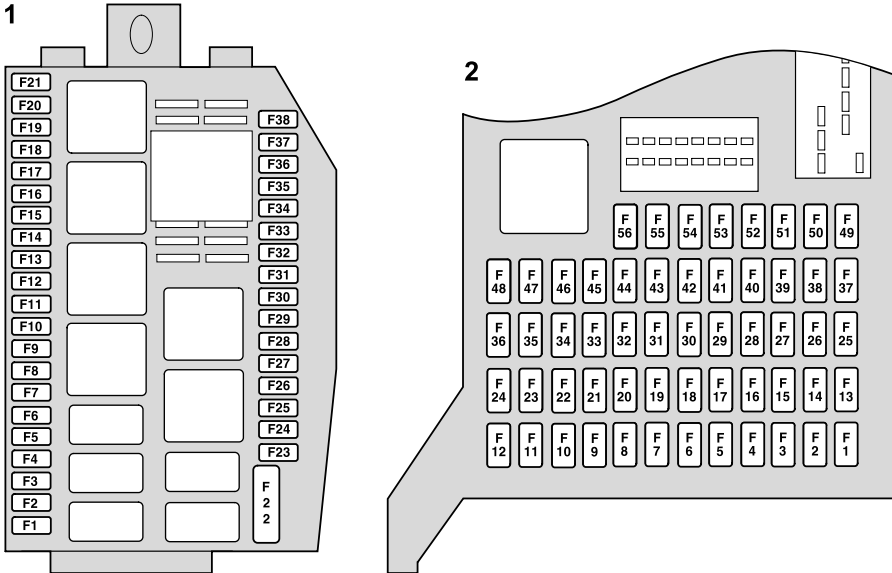


JAG0801

Right hand drive vehicles, open the glove compartment and remove the panel 1.

Fuses

FUSE POSITIONS



JAG0703

1. Engine compartment fuse box.
2. Passenger compartment fuse box.

ENGINE COMPARTMENT FUSES (1)

Fuse No	Rating (amps)	Circuit
F1	10	Right-hand high beam.
F2	15	Front fog lamps, master lamp switch.
F3	20	Horns (diesel only).
F4	10	Left-hand high beam.
F5	10	Air conditioning compressor clutch.
F6	7.5	Alternator (petrol only).
F7	5	Fuel-fired heater relay coil (diesel only).
F8	30	Wiper switch.
F9	30	Wiper switch, windscreen washer pump, wiper motor.
F10	15	Ignition coils (petrol only).
F11	15	Automatic transmission control module.
F12	7.5	Supplementary heater relay coil (diesel only).
F13	5	Anti-lock Braking System (ABS), Dynamic Stability Control (DSC) system.
F14	30	Heated front screen left-hand side.

Fuses

Fuse No	Rating (amps)	Circuit
F15	30	Heated front screen right-hand side.
F16	5	Radiator fans speed control.
F17	10	Fuel injectors (petrol only). Exhaust gas recirculation, variable geometry turbocharger control (diesel only).
F18	10	Canister purge valve, airflow meter, inlet manifold tuning valve, canister close valve, vacuum module (petrol only). Cruise control module (2.0L petrol only). Glow plug relay coil (diesel only).
F19	10	Engine Control Module (ECM) (petrol only). Throttle motor relay (2.5L and 3.0L). Fuel pump relay (2.0L petrol).
F20	30 (petrol) 7.5 (diesel)	Oxygen sensor heaters B (petrol only). Inlet manifold valve (diesel only).
F21	30 (petrol) 15 (diesel)	Oxygen sensor heaters A (petrol only). Airflow meter, Engine Control Module (ECM) (diesel only).
F22	60	Glow plugs (diesel only. This fuse should only be replaced by a Jaguar Dealer/Authorised Repairer).
F23		Not used.
F24	30	Power wash pump.
F25		Not used.
F26		Not used.
F27	15	Transit relay, vacuum module, battery backed sounder.
F28		Not used.
F29	See adjacent text	Left-hand dip beam, master lamp switch (autolamps), headlamp levelling, instrument pack. Note: This fuse is rated at 20 A for diesel models fitted with HID headlamps, and for all petrol models. For diesel models that are not fitted with HID headlamps, a 10 A fuse is required.
F30	See adjacent text	Right-hand dipped beam. Note: This fuse is rated at 20 A for diesel models fitted with HID headlamps, and for all petrol models. For diesel models that are not fitted with HID headlamps, a 10 A fuse is required.
F31	15	Fuel-fired heater (diesel only).
F32	15	Automatic transmission control module.
F33		Not used.
F34	30	Starter motor solenoid.
F35	5	Ignition relay coil.

Fuses

Fuse No	Rating (amps)	Circuit
F36	5 (petrol) 7.5 (diesel)	Engine control module. Battery sense to alternator (diesel only).
F37		Not used.
F38	20 (petrol) 30 (diesel)	Horns (petrol only). Auxiliary heater (diesel only).

Fuses

PASSENGER COMPARTMENT FUSES

(2)

Fuse No	Rating (amps)	Circuit
F1		Not used.
F2	10	Instrument pack, auto-dimming mirror, reverse lamp switch, reverse lamps.
F3	30	Passenger seat adjustment motors.
F4	20	Accessory connectors.
F5	20	Rear wiper (Estate only).
F6		Not used.
F7	10	On board diagnostics, heated front seat modules, rain sensing system, JaguarVoice.
F8	20	Heated front seat modules.
F9	10	Driver's seat memory function.
F10	15	Sunroof module, SRX antenna.
F11	20	Left-hand (front and rear) electric window motors.
F12	10	VICS (Japan), JaguarVoice.
F13		Not used.
F14	30	Heated rear screen.
F15	10	Heated door mirrors.
F16	30	Driver's seat adjustment motors.
F17	20	Fuel pump driver module and relay.
F18	15	Rear accessory socket (Estate only).
F19	30	Towbar module. Rear accessory socket (Estate only).
F20	30	Premium ICE amplifier unit.
F21	20	Right-hand (front and rear) electric window motors.
F22	15	Door lock module.
F23	20	Not used. Rear screenwash pump (Estate only).
F24	20	Screenwash pump.
F25	5	On-board diagnostics.
F26	10	Manual transmission cruise control clutch switch, rotary switch.
F27	5	Touch-screen.
F28	15	Front and rear accessory sockets.
F29	7.5	Rear fog lamps.
F30	5	In-car telephone, PSE.
F31	15	Starter switch.
F32	5	On-board diagnostics.

Fuses

Fuse No	Rating (amps)	Circuit
F33	5	Park aid.
F34	10	Reverse switch.
F35	15	Direction power module.
F36	20	Throttle motor relay (2.5L and 3.0L). Fuel pump (2.0L petrol only).
F37	30	Climate control blower motor.
F38	15	Exterior lamp switch.
F39	10	HID module, air conditioning ECU, blower motor relay coil.
F40	5	Sunroof module, auto-dimming mirror, power window motors and switches.
F41	5	Passenger airbag indicator, passenger seat weight sensor.
F42	5	Power steering module.
F43	10	Instrument pack, telematics display, ICE head unit, antenna module, VICS (Japan), navigation system, park aid, JaguarVoice, In-car telephone, accessory relay coil.
F44	15	Navigation system ECU, CD player, ICE head unit.
F45	10	Air conditioning ECU.
F46	7.5	Power fold back door mirrors.
F47	7.5	Left-hand side (parking) lamps.
F48	7.5	Right-hand side (parking) lamps.
F49	10	Air conditioning ECU, interior courtesy lamps, roof console, in-car sensor.
F50	5	Automatic transmission control module.
F51	7.5	Manual transmission cruise control clutch switch, brake switch.
F52	15	Cigar lighter.
F53	10	Airbag module.
F54	5	Instrument pack electrical supply.
F55	5	Number plate lamps, glove compartment lamp, Instrument pack.
F56		Not used.

Fire Extinguisher

DEALER FITTED FIRE EXTINGUISHER

Many countries make it compulsory to carry a fire extinguisher. Your Jaguar Dealer/Authorised Repairer can supply and fit one.

FACTORY FITTED FIRE EXTINGUISHER

Some countries have a factory fitted fire extinguisher which contains 2.0 kg (4.4 lb) of BC powder pressurised with nitrogen to a working pressure of 180 psi (12 bar) at 20°C (68°F).

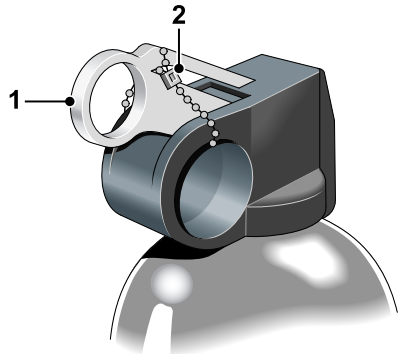
This extinguisher can be used on liquid fires, electrical equipment fires and, if no explosion risk, petrol fires.



WARNING:

- Do not test the fire extinguisher prior to use. Partial discharge will render the extinguisher inoperative.
- Do not use the fire extinguisher closer than 2.4 m (8 feet) to the base of a liquid fire as the force may splatter the burning liquid to the surrounding area.

Operating the fire extinguisher



JAG0650

Unclip and remove the extinguisher from the bracket.

Put your finger through the yellow safety wedge ring (1) and pull hard to break the safety strap (2) and then remove the wedge. The operating lever will be exposed.

Fire Extinguisher

Hold the extinguisher upright and aim at the base of the fire.

Press the lever down firmly and then release the lever to stop the flow of powder.

MAINTENANCE

Every six months:

- Remove the extinguisher from its bracket and check that the nozzle is clear.
- Check that the safety wedge strap (**2**) is secure.

Check the pressure gauge on the base of the extinguisher. If the gauge is in the red area report it to your Jaguar Dealer/Authorised Repairer immediately as the extinguisher may not work in an emergency.